

LabDELTA® PLUS CONTINUOUS pH ADJUSTMENT SYSTEMS



Shown: LDP-G-B-LR



Shown: LDP-P-B-LR-FL



The LabDELTA® Plus is a skid-mounted pH adjustment system that is designed for neutralizing small-volume laboratory process wastewater. This continuous system uses two active treatment stages along with effluent pH monitoring to ensure that the wastewater will be at a safe discharge pH before entering the sewer line.

Specifications

- Inlet pH range 2 -12
- Flows up to 3 gpm
- Inlet temperatures up to 160 °F
- Fabricated polypropylene tanks and skid
- Double-contained reaction tanks with leak switch
- Skid-mounted design, ready to install
- Factory piped, wired, and tested before shipment
- Indoor installation

Standard Features

- UL-Listed control panel
- NEMA 4 powder-coated steel enclosure
- PLC-based control system with 7" color touchscreen HMI with built-in remote access via Ethernet
- Dry contacts for common alarm, influent permissive, and pH out of range
- Run permissive for remote enable/disable
- pH probes in reaction tanks and monitoring tank
- Discharge pH monitoring, trending and logging
- Double-contained 14-gallon acid and caustic chemical day tanks
- PVC metering pumps
- Seismic tie-downs
- Gravity discharge

Power Requirements

- 115 VAC, 1 phase, 60 Hz, 20 Amps (gravity discharge)
- 115 VAC, 1 phase, 60 Hz, 30 Amps (pumped discharge)

Optional Features

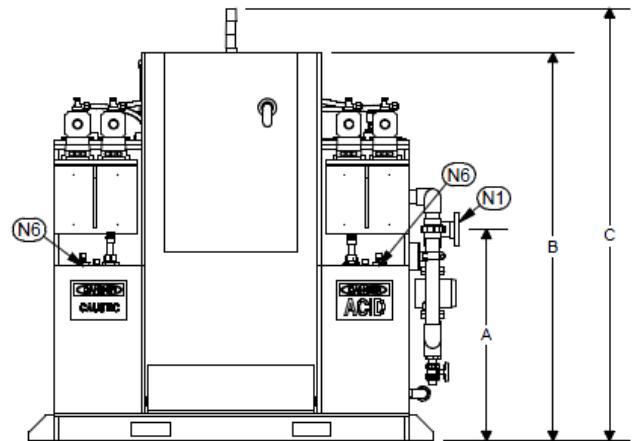
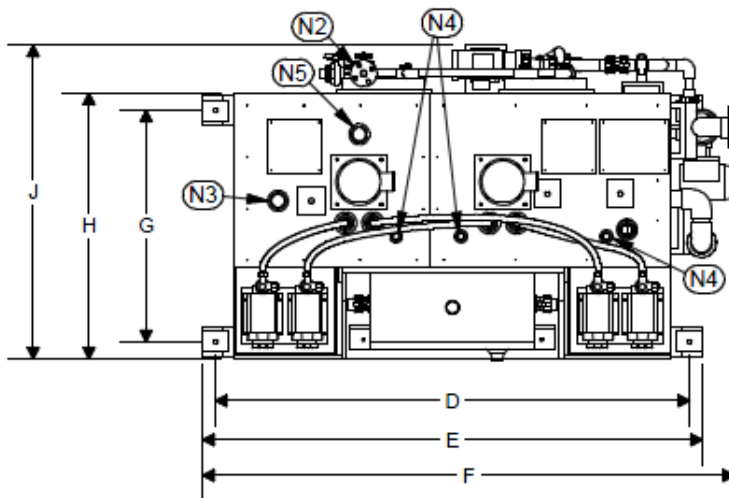
- Pumped discharge with two horizontal centrifugal pumps rated for 3 gpm at 30' TDH
- Discharge flowmeter recording with flow totalization, trending, and logging

ORDERING INFORMATION

LDP	LabDELTA® Plus				
	Discharge Type (Choose One)				
	-G	Gravity Discharge			
	-P	Pumped Discharge (Two pumps)			
	Treatment Chemicals (pH Range) (Choose One)				
	-A	Acid Addition (for high pH wastewater, with pH between 7 and 12)			
	-B	Acid and Caustic Addition (for wastewater with pH between 2 and 12)			
	-C	Caustic Addition (for low pH wastewater, with pH between 2 and 7)			
	Flow Direction (Choose One)				
	-LR	Left to Right			
	-RL	Right to Left			
	Options				
	-FL	Discharge Line Flow Meter			
LDP	-G	-B	-LR	-FL	LDP-G-B-LR-FL

DIMENSIONS AND TECHNICAL INFORMATION

PART NUMBER	DIMENSIONS									DRY WEIGHT	OPERATING WEIGHT
	A	B	C	D	E	F	G	H	J		
LDP-G	44"	70"	78 1/8"	69 1/4"	73"	73"	33 3/4"	38 3/4"	38 3/4"	960 lbs	2700 lbs
LDP-G-FL	38 1/8"	70"	78 1/8"	69 1/4"	73"	77 3/4"	33 3/4"	38 3/4"	38 3/4"	960 lbs	2700 lbs
LDP-P/LDP-P-FL	44"	70"	78 1/8"	69 1/4"	73"	73"	33 3/4"	38 3/4"	45 3/4"	960 lbs	2700 lbs



NOZZLE SCHEDULE		
NOZZLE	DESCRIPTION	SERVICE
N1	2" FLG	DISCHARGE (GRAVITY)
N2	3/4" FLG	DISCHARGE (PUMPED)
N3	2" FNPT	INLET
N4	1" FNPT	VENT PORT
N5	2" FNPT	SPARE
N6	2" FNPT	CHEMICAL FILL