

PORTABLE LAB PUMP LIFT STATIONS (LDPLS)



Wastech's Portable Pump Lift Stations are mobile compact stations that are designed for transferring water, chemicals and wastewater when a gravity drain is not possible. Each LDPLS is supplied with heavy duty steel casters and a 5' power cord to allow the lift station to be easily moved from one place to another.

Specifications

- Simplex (one pump) configuration.
- Multipoint level switch assembly with digital level display.
- Check valve on the discharge of the pump to prevent liquid from flowing back into the tank once the pump stops.
- Lockable motor disconnect that allows maintenance work to be performed on the pump without opening the control panel.
- All pump lift stations include a high-high level switch to activate a high level alarm.
- Lift station includes an integrated Wastech IPCP series industrial control panel.

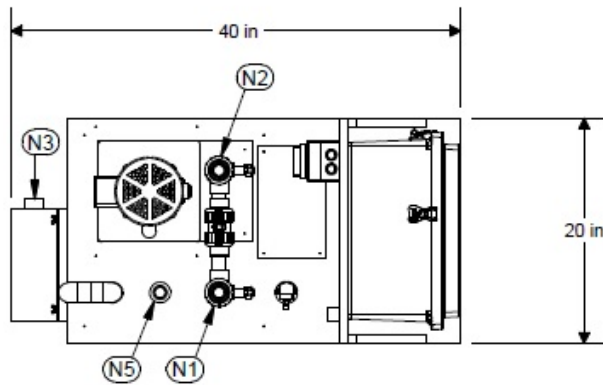


Standard Features

- Fabricated 40-gallon polypropylene tank
- Fabricated polypropylene lid
- One vertical centrifugal pump with CPVC pump head
- Pump suction strainer
- TEFC thermally protected motor
- Lockable disconnect for pump
- CPVC piping and valves with Viton elastomers
- 1" FNPT top mount inlet connection
- 1" FNPT top mount vent connection
- 1" FNPT tank drain valve
- 4"x6" view window for maintenance access
- Multipoint level switch assembly with digital level display
- NEMA 4X fiberglass enclosure with relay-based controls
- Hand-Off-Auto switch for pump control
- High level alarm light and buzzer
- 5' power cord
- Heavy duty casters with brakes

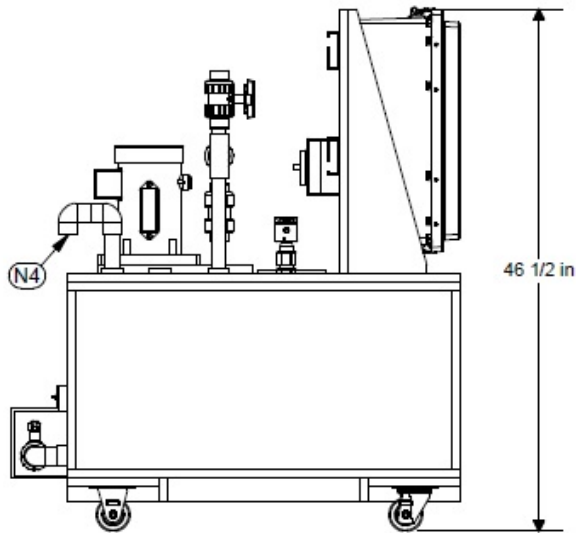
ORDERING INFORMATION

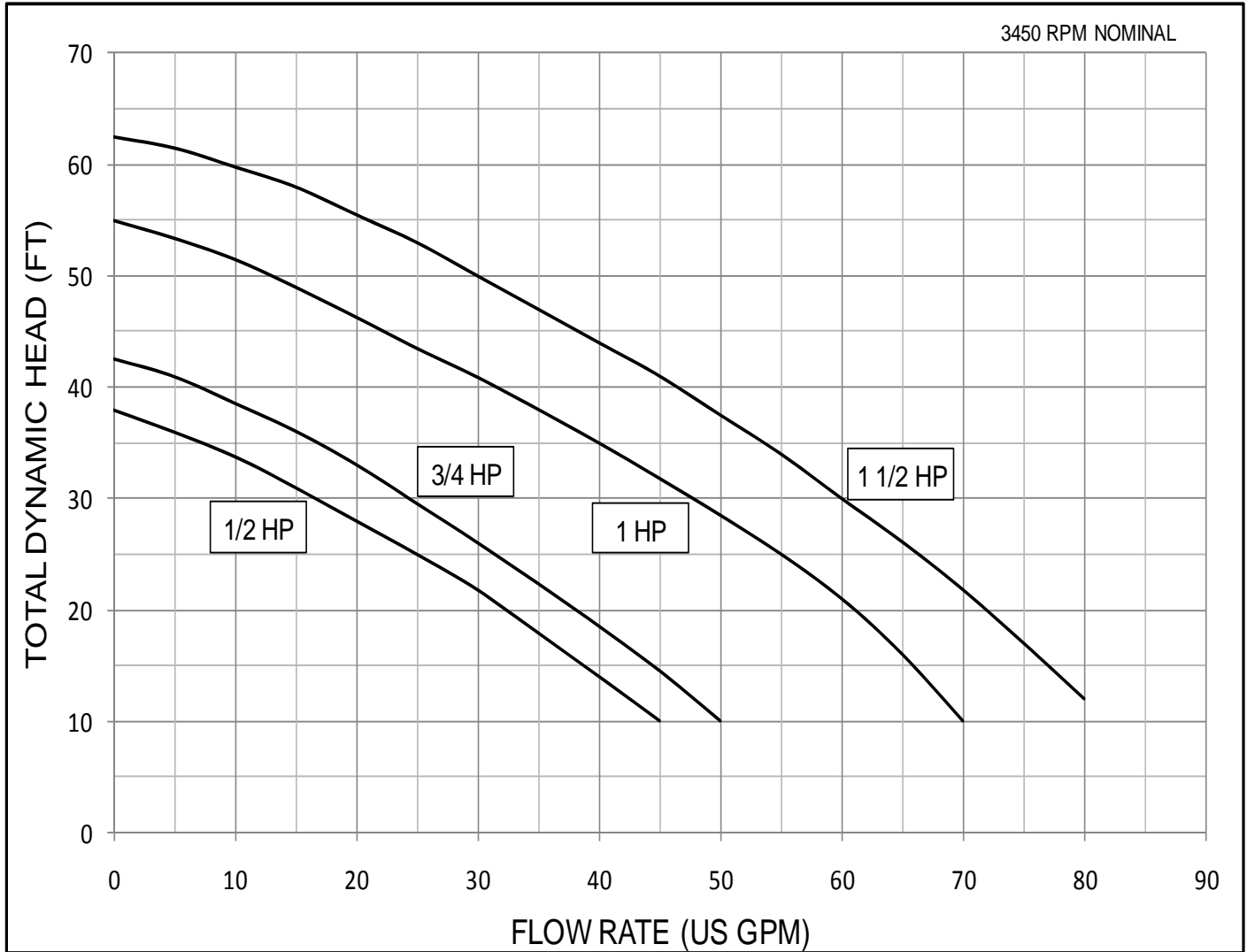
LDPLS	Portable Lab Pump Lift Station	
	Horsepower (Choose One)	
	-005	½ HP
	-007	¾ HP
	-010	1 HP
	-015	1 ½HP
Example Part Number		
LDPLS	-005	LDPLS-005

DIMENSIONS AND TECHNICAL INFORMATION

PLAN VIEW

NOZZLE SCHEDULE			
NOZZLE	DESCRIPTION	QTY	SERVICE
N1	1" FNPT	1	INLET
N2	1" FNPT	1	DISCHARGE
N3	1" FNPT	1	DRAIN
N4	1" SOC	1	VENT W/GOOSENECK
N5	1" FNPT	1	SPARE

Dry Weight = 245 lbs
 Operating Weight = 530 lbs


ELEVATION VIEW


PUMP PERFORMANCE CURVES

POWER REQUIREMENTS
VERTICAL PUMP MOTOR FLA

Voltage	1/2 HP	3/4 HP	1 HP	1 1/2 HP
115 VAC/1/60 Hz	15	15	20	25