

WASTECH CONTROLS SIMPLEX VERTICAL PUMP STATION PRICE TABLE

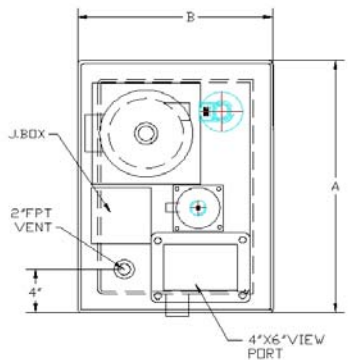
GENERAL NOTES;

1. TANK MADE OF PE MATERIAL
2. ALL PIPING MADE OF CPVC SCH. 80
3. PUMP HEAD MADE OF CPVC
4. POWER REQUIREMENTS, 110 VAC, MAX. 15 AMP.

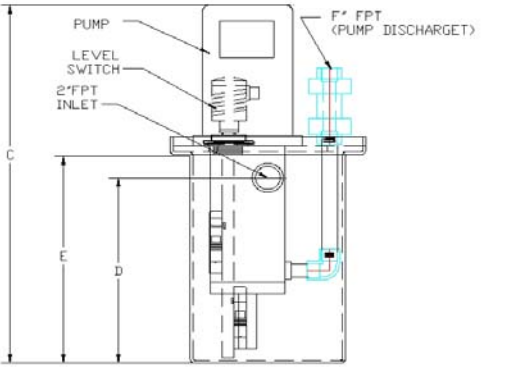
PUMPS EQUAL OR LESS THAN 1/2 HP, (PUMP CONTROL RELAY)									
MODEL NUMBER	TANK VOL.	OVERALL DIM. W X L X D"	PUMP HP	AVG PUMP RATE GPM @ FT TDH	INLET SIZE IN	PUMP DISCH. IN	VENT SIZE IN	PRICE	ADD FOR DOUBLE CONTAINMENT
SVPLS-16-003	16	12 X 18 X 18	1/3	10 GPM @ 15 FT	2	0.75	2	\$ 1,775.00	\$ 200.00
SVPLS-32-003	32	24 X 18 X 18	1/3	10 GPM @ 15 FT	2	0.75	2	\$ 1,951.00	\$ 215.00
SVPLS-16-005	16	12 X 18 X 18	1/2	20 GPM @ 25 FT	2	1	2	\$ 1,985.00	\$ 200.00
SVPLS-32-005	32	24 X 18 X 18	1/2	20 GPM @ 25 FT	2	1	2	\$ 2,027.00	\$ 215.00



MODEL #	A	B	C	D	E	E
SVPLS-16-003	22"	16"	31"	16"	18	3/4"
SVPLS-32-003	22"	28"	31"	16"	18"	3/4"
SVPLS-16-005	22"	16"	31"	16"	18	1"
SVPLS-32-005	22"	28"	31"	16"	18"	1"



TOP VIEW



FRONT ELEV.

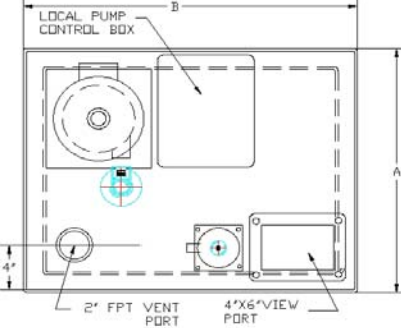
PUMPS LARGER THAN 1/2 HP, (WASTECH PUMP CONTROL BOX)									
MODEL NUMBER	TANK VOL.	OVERALL DIM. W X L X D"	PUMP HP	AVG PUMP RATE GPM @ FT TDH	INLET SIZE IN	PUMP DISCH. IN	VENT SIZE IN	PRICE	ADD FOR DOUBLE CONTAINMENT
SVPLS-32-007	32	24 X 18 X 18	3/4	25 GPM @ 30 FT	2	1	2	\$ 2,468.00	\$ 215.00
SVPLS-63-007	63	36 X 20 X 20	3/4	25 GPM @ 30 FT	2	1	2	\$ 2,587.00	\$ 230.00
SVPLS-32-010	32	24 X 18 X 18	1	30 GPM @ 40 FT	2	1.25	2	\$ 2,584.00	\$ 215.00
SVPLS-63-010	63	36 X 20 X 20	1	30 GPM @ 40 FT	2	1.25	2	\$ 2,703.00	\$ 230.00



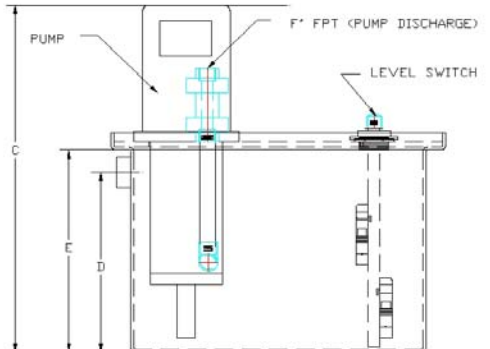
PUMP CONTROL BOX



MODEL #	A	B	C	D	E	F
SVPLS-32-006	22"	28"	31"	16"	18	1"
SVPLS-63-007	24"	40"	34"	18"	20"	1"
SVPLS-32-010	22"	28"	31"	16"	18	1.25"
SVPLS-63-010	24"	40"	34"	18"	20	1.25"



TOP VIEW



FRONT ELEV.